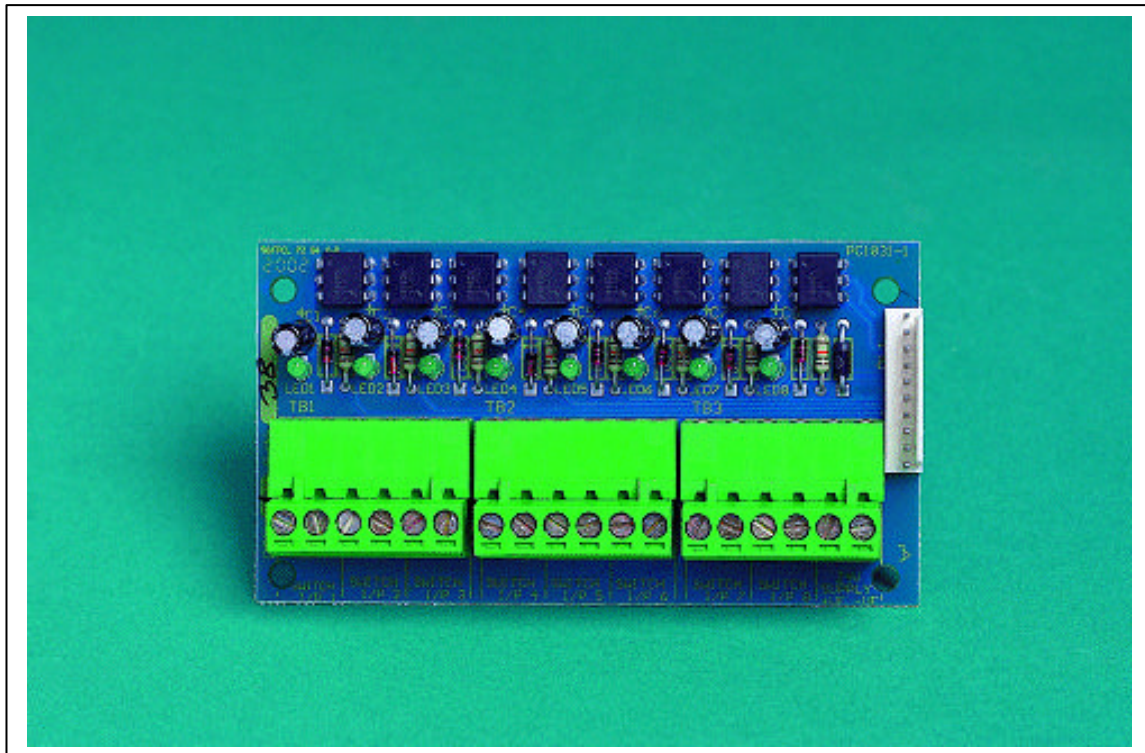


8 Way Input Card



Features

The Mxp-014 is an internal peripheral for use with the *Mx-4000* multi-loop panels. The unit provides a cost effective method of monitoring for up to 8 individual clean contact switch inputs.

Each input can be programmed to generate a specific user defined function from the control panel program and can be assigned to an individual or common zone. The input functions can be either latched or non-latched and includes Fire, Fault, Pre-alarm, Security, General Alarm, Group Disable, Control Signal, Level-2 access enable etc. together with any other programmable input option allowed within the *Mx-4000* systems *DynamiX* zoning facilities.

The unit connects directly to the panel and is ideal for class change or non-latching operation where a fast input response is essential.

Models, Sales Order Parts:

Mxp-014: 8 Way Input Card

Mxp-014F: 8 Way Input Card fitted within a Mx-4100/L, Mx-4200, Mx-4400 or Mx-4800 control panel

Applications / Limitations:

All inputs can be individually programmed to any of the specific functions allowed in the control panel programme: i.e. Fire, fault, pre-alarm, security, record, alarm-1, alarm-2, alarm-3, key-lock, silence, resound, mute, reset, disable group, control signal and fire evacuate.

Only one 8 Way Input card can be fitted to an Mx-4100/L, Mx-4200 or Mx-4400 control panel.

Up to two 8 Way Input cards can be fitted to an Mx-4800 control panel.

Compatibility:

The Mxp-014 is fully compatible with the following Fire Alarm Control Panels.

Mx-4100/L, Mx-4200, Mx-4400 & Mx-4800

Mounting pillars are provided to mount this card as follows:

Mx-4200, Mx-4400 & Mx-4800 panel chassis

Mx-4100/L on the rear face of the back box.

Item	Specification Details
Switch Inputs	8 normally open inputs. (Can be inverted via software programming for normally closed operation on an individual basis). Each input fed from a 24v supply and optically isolated.
On board indication	8 on board Green LED indicators. LED illuminates when the switch is closed.
Power Supply	24V DC (E.G. Wired from panel 24V Aux Supply)
Supply Current	Open: – 0mA Closed: – 2.2mA
Dimensions (H x W x D)	55mm x 105mm x 18mm
As our policy is one of constant product improvement the right is therefore reserved to modify product specifications without prior notice	

8 Way Input Card

Installation

Installing the Mxp-014 in the Mx-4100/L

Mounting the Card

The card mounts on 4 pillars in the rear of the enclosure. See diagram opposite.

Remove the gear tray assembly and set aside in a safe place.

Screw in the four spacers supplied into the threaded inserts in the back box. Use the four M3 screws supplied to securely affix the card to the spacers.

Figure 1 opposite shows the location.

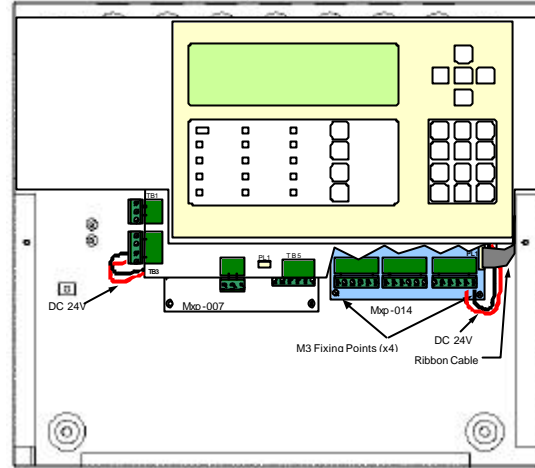


Figure 1

Internal Wiring

Use the supplied 10-way single in line ribbon cable to connect the input card, via the latched header – PL1, to the 10 way latched header on the back of the display card (see Figure 4 for location on the display card).

NOTE: It will be necessary to disassemble the base card from the gear tray assembly to obtain access to this connector. M3 nylock nuts secure the base card to the assembly – keep these safe for re-assembly.

The 8-Way Input Card requires a 24VDC Supply.

Connect the DC Input (see figure 6 for polarity) to the 24V DC AUX Supply Output on the base card as shown in Figure 1. Run the cable along the rear wall of the back box and tie in place with cable ties. OBSERVE POLARITY OF CONNECTIONS.

Installing the Mxp-014 in the Mx-4200/Mx-4400/Mx-4800

Mounting the Card

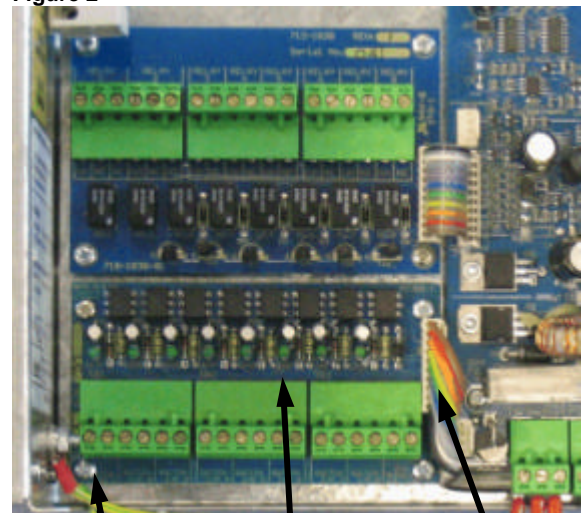
The card mounts on 4 pillars in the bottom left hand corner of the control panel chassis adjacent to the Mx4200/Mx 4400 base card.

See diagram opposite.

Use the four M3 screws supplied to securely affix the card to the chassis (the supplied spacers are not required).

It is not possible to install the Mxp-014 in this position if the Mxp-029 Shop Interface is already installed.

Figure 2



M3 Fixing Screws

Input Card

Cable

Internal Wiring

A 10 way single in line ribbon cable is used to connect the input card, via the latched header – PL1, to the 10 way latched header on the back of the display card.

Route the cable as shown in the diagrams opposite.

Adhesive ribbon cable clips are supplied with the kit.

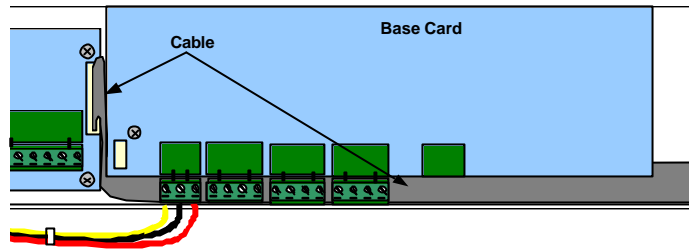
Affix these in the positions shown and clip the ribbon cable into place to prevent undue strain on the cable connections.

The 8Way Input Card requires a 24VDC Supply.

Connect the Inputs to the 24V DC AUX Supply Output on the base card as shown in the diagram opposite.

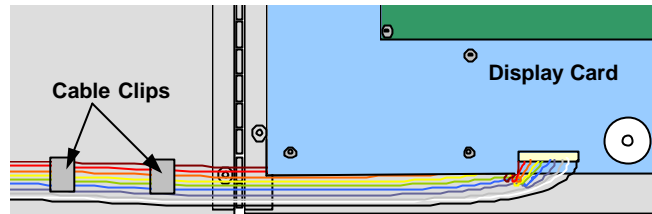
OBSERVE POLARITY OF CONNECTIONS.

Figure 3



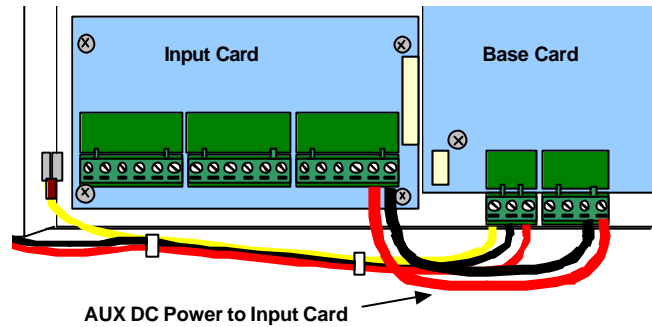
Route the cable between the input card and the base card and then beneath the base card along the bottom edge.

Figure 4



Route the cable around the hinge and along the display plate. Positions for the plastic cable clips are shown

Figure 5



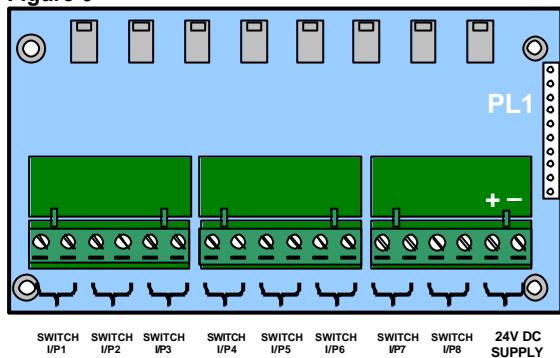
External Wiring

The picture below shows the terminal block positions for each switch input.

Install cables suitable for the application and degree of fire protection required. These circuits are SELV type.

If additional knockouts are required, use the deeper back box (Mxm-020) or use the Termination Enclosures (Mxm-028 or Mxm-029) as appropriate.

Figure 6



All electrical wiring installation work should be carried out in accordance with the code of practice applicable in the country of installation.

To maintain electrical integrity of the SELV wiring on the input lines all SELV wiring should be segregated from the LV mains wiring and be wired using cable with insulation suitable for the application.

To minimise the effects of EMC interference all data wiring circuits should be wired with a twisted pair of conductors with a cross sectional area suitable for the loading conditions.

In areas where cabling may come into contact with high frequency interference, such as portable radio transceivers etc. the input wiring cable should be of a twisted pair construction within an overall screen. The screen should be terminated to one of the dedicated earth studs available in the panel (refer to panel manual for positions).

NB: Minimum / Maximum cable size for all connections is limited to 0.35mm² / 2.5mm² (22-14AWG).

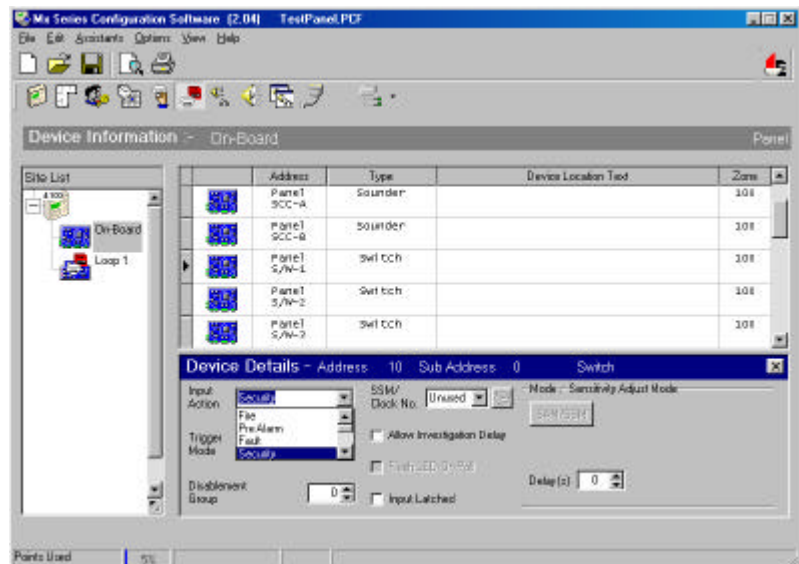
Program the Switch Inputs.

Each input can be independently programmed in the same way as other inputs to the panel.

On the PC configuration software, the inputs appear as “On-board” devices and are shown as Panel S/W-1 through to Panel S/W-8.

By default, the inputs are assigned to the same zone as defined for this control panel. This can be changed if required.

Double-click on the circuit icon to bring up “Device Details”. The input action, delay, etc. can then be defined.



For further information on PC programming, see document reference 680-021.