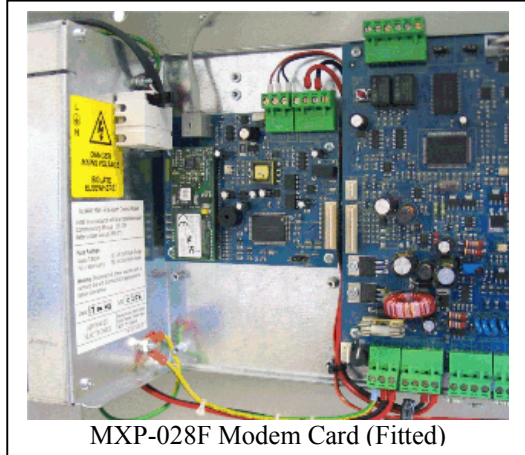
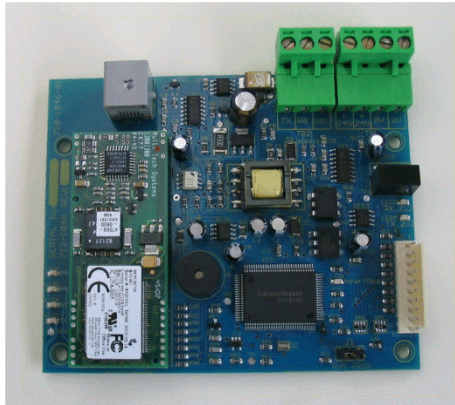


Advanced Modem



MXP-028F Modem Card (Fitted)



Mxp-028-BX Boxed Modem

Features

- This modem unit provides remote dial-in access to Mx4000 series fire products.
- The modem card can be mounted inside the Mx4200 or Mx4400 fire panels or supplied as a separate boxed unit for the Mx4100.
- Uses Pc-Net-004 dial-up software to make a PC to site connection.

Models, Sales Order Parts:**Part No:**

Mxp-028-F: Internal panel modem mounted within a Mx-4200, Mx-4400 or Mx-4800 control panel.

Mxp-028-BX: Boxed modem. (See specification details for enclosure dimensions)

Spares:

Mxp-028: Modem Card

Applications / Limitations:

- The modem will allow interactive interrogation of the connected fire product including transfer of the event log using Pc-Net-004 software.
- Note: The Mxp-008 '8 Way Relay Output Card' cannot be fitted with the panel mounted Modem.

Compatibility:

- Internal fitting of the Mxp-028 is applicable only to the Mx-4200, Mx-4400 & Mx-4800 control panels.
- The Mxp-028-BX can be used with Mx-4100, Mx-4200, Mx-4400 & Mx-4800 control panels

Item	Specification Details
Power supply	15-30V DC (e.g. Wired from panel 24V auxiliary supply)
Supply current	100mA (typical at 24V DC).
Temperature	-5°C to 50°C
Humidity	95% Humidity (non condensing)
Dimensions	Enclosure: 218mm H x 300mm W x 45mm D

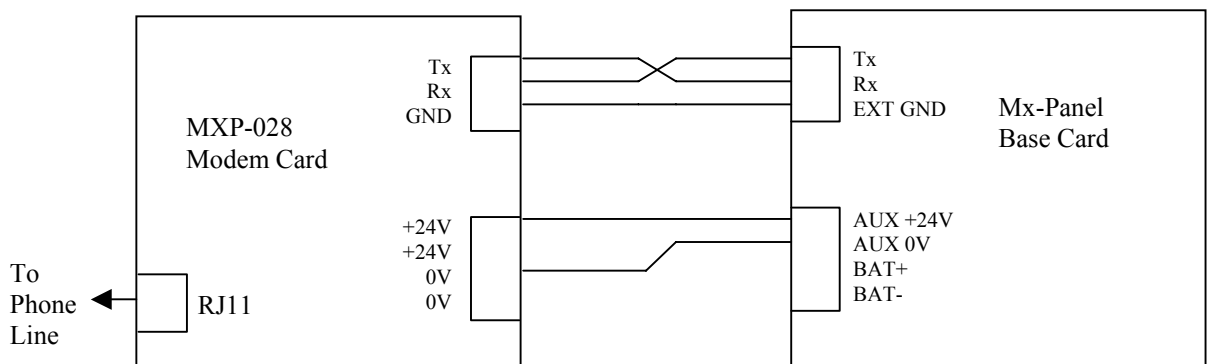
Mxp-028 Modem

Power and Data Connections

The Mxp-028 modem requires a 24V supply. The power supplied used **MUST BE** designated a Safety Extra Low Voltage (SELV) supply.

Connect the 0V and 24V terminals to 24V power supply (e.g. to the Aux 0V and 24V of the base card).

Connect the modem's TX, RX and GND terminals to the RS232 connector on the Panel as shown below. Note that the Tx & Rx connections are crossed.



Heartbeat LED Indicator

When the modem is powered up, LED 3 (the heartbeat LED) will initially flash at a rate of 2Hz (twice per second) for the first 5 seconds while the modem is being initialized and then change to a rate of 1Hz (once per second) to indicate normal operation.

Modem Status LEDs

DCDIND – Lit when a carrier is detected (i.e. a telephone connection has been established).

RXIND – Lit when data is received by the modem

DTRIND – Always lit.

TXIND – Lit when data is transmitted from the modem

RS232 Activity LEDs

RS232 RX – Lit when data is received from the fire panel.

RS232 TX – Lit when data is transmitted to the fire panel.