



QT421

MONITORED RF INTEGRITY TRANSMITTER

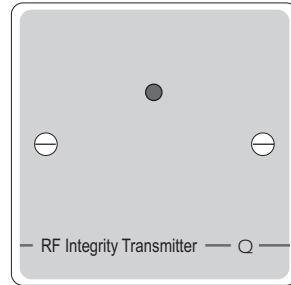
The QT421 Monitored RF Integrity Transmitter is intended for use with the QT422RX range of Quantec Radio Receivers.

It sends a periodic RF test transmission (typically once every two minutes) to any Radio Receiver within its range which has the same RF group address.

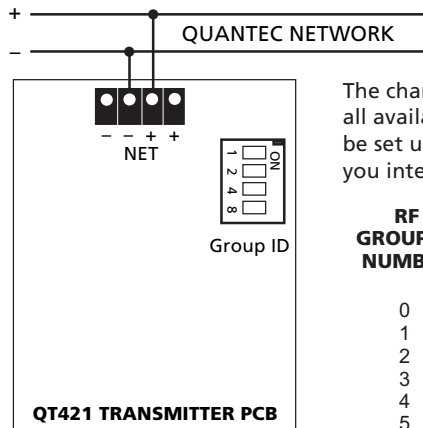
Each Receiver can be set up to expect this transmission (simply flick its Operating Mode DIP switch 2 to the ON position) and to flag a fault at the Quantec Controller if any of these transmissions are not received.

We recommend at least one RF Integrity Transmitter is used per Radio Receiver. They should be located at strategic points on the installation to help ensure the integrity and coverage of the RF system at all times.

Mountable on a 25mm UK single gang back box, the Integrity Transmitter takes its power from the Quantec network (see below) but is not an addressable device as it is monitored by the radio receiver(s) it is set up to work with.



NETWORK WIRING & RF GROUP SETUP DETAILS



The chart below shows the DIP switch arrangements for all available RF Group IDs. The integrity transmitter must be set up with the same RF Group ID as the receiver(s) you intend to use it with.

RF GROUP ID NUMBER	SWITCH POSITION (1 = ON; 0 = OFF)			
	1	2	4	8
0	0	0	0	0
1	1	0	0	0
2	0	1	0	0
3	1	1	0	0
4	0	0	1	0
5	1	0	1	0
6	0	1	1	0
7	1	1	1	0
8	0	0	0	1
9	1	0	0	1
10	0	1	0	1
11	1	1	0	1
12	0	0	1	1
13	1	0	1	1
14	0	1	1	1
15	1	1	1	1

For a more detailed overview of RF Grouping please refer to the installation manual provided with each radio receiver.



QT421

MONITORED RF INTEGRITY TRANSMITTER

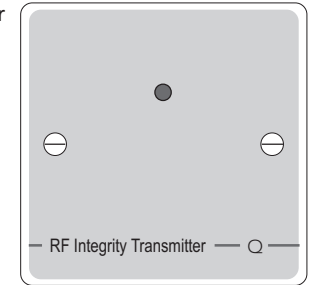
The QT421 Monitored RF Integrity Transmitter is intended for use with the QT422RX range of Quantec Radio Receivers.

It sends a periodic RF test transmission (typically once every two minutes) to any Radio Receiver within its range which has the same RF group address.

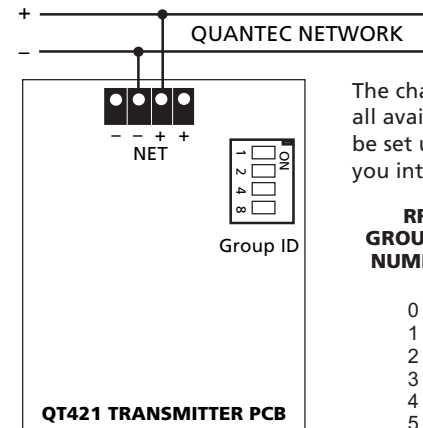
Each Receiver can be set up to expect this transmission (simply flick its Operating Mode DIP switch 2 to the ON position) and to flag a fault at the Quantec Controller if any of these transmissions are not received.

We recommend at least one RF Integrity Transmitter is used per Radio Receiver. They should be located at strategic points on the installation to help ensure the integrity and coverage of the RF system at all times.

Mountable on a 25mm UK single gang back box, the Integrity Transmitter takes its power from the Quantec network (see below) but is not an addressable device as it is monitored by the radio receiver(s) it is set up to work with.



NETWORK WIRING & RF GROUP SETUP DETAILS



The chart below shows the DIP switch arrangements for all available RF Group IDs. The integrity transmitter must be set up with the same RF Group ID as the receiver(s) you intend to use it with.

RF GROUP ID NUMBER	SWITCH POSITION (1 = ON; 0 = OFF)			
	1	2	4	8
0	0	0	0	0
1	1	0	0	0
2	0	1	0	0
3	1	1	0	0
4	0	0	1	0
5	1	0	1	0
6	0	1	1	0
7	1	1	1	0
8	0	0	0	1
9	1	0	0	1
10	0	1	0	1
11	1	1	0	1
12	0	0	1	1
13	1	0	1	1
14	0	1	1	1
15	1	1	1	1

For a more detailed overview of RF Grouping please refer to the installation manual provided with each radio receiver.